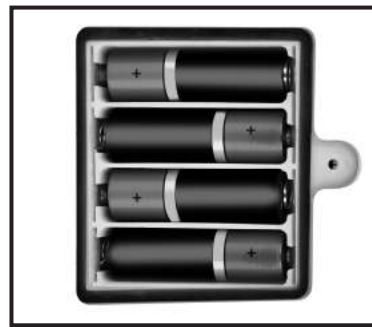


BATTERY REPLACEMENT

1

CAUTION:

BATTERIES MUST BE INSTALLED BY AN ADULT.
REQUIRES 4 "AA" (LR06) BATTERIES. NOT INCLUDED.

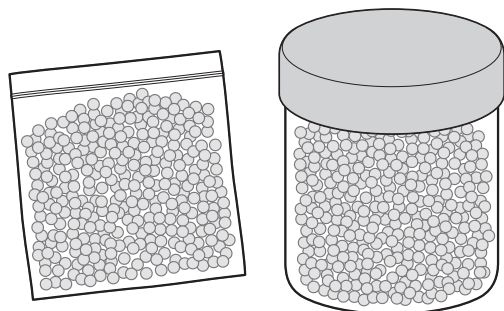


2

- 2.1 Open the battery door from the underside of the HAND SPA basin using a phillips screwdriver (not included).
- 2.2 Remove used or spent batteries from the unit by pulling up on one end of each battery. Install 4 new "AA" (LR06) alkaline batteries (not included) as shown.
- 2.3 Replace battery door and tighten screw.

- Do not mix old and new batteries.
- Do not mix alkaline, standard (carbon-zinc), or rechargeable (nickel cadmium) batteries.
- Remove and discard exhausted batteries properly as soon as possible.
- Remove all batteries from compartment if toy is not used for a long period (several months).
- The supply terminals are not to be short-circuited.

STORAGE, RE-USE, RELAXING HAND SPA EXPERIENCE TIPS



Orbeez can be stored in a sealable bag or jar to keep them from drying out.

- Replace with fresh Orbeez after a few uses.
- Remove Orbeez from Spa and dry Spa completely between uses.
- To keep fresh longer, add a small pinch of salt.
- If you would like to heat the Orbeez for a warm spa experience, add warm water.

ORbeez®

Relaxing Hand Spa™

INSTRUCTION GUIDE

5+



NEED MORE ORBEEZ?



Hydrated Orbeez



Orbeez Color Pack (1000 Seeds)

WARNING:
CHOKING HAZARD - Small Parts & Small Balls. Not for children under 3 years

CAUTION:
DO NOT EAT ORBEEZ.

Safety and Disposal Instructions

- Orbeez beads contain copolymer of sodium acrylic acid (Acrylic acid, sodium hydroxide and water) and color pigmentation.
- Dispose of Orbeez® in trash or work into garden soil. Because Orbeez give off water when it is dry, they can be used to hydrate soil and conserve water usage.
- Do not put Orbeez® in sink, garbage disposal or drain.
- Orbeez® are slippery—remove spilled Orbeez® from floor.

© 2015 The Maya Group, Inc. "Orbeez," "Magically Grows in Water," are trademarks of The Maya Group, Inc. All rights reserved.

Conforms to Safety Standards ASTM F963. Non-toxic.

Do not eat Orbeez® or place in mouth. Do not insert Orbeez into nose and ears.

If a substantial number of Orbeez® are swallowed, or any Orbeez® are inserted into nose or ears, seek immediate medical attention. Bring this instruction guide and some Orbeez® with you. Not suitable for children under the age of five. Please remove all packaging material before giving to children. Product and colors may vary. Please retain this information for future reference.

The Maya Group, Inc., 19823 Hamilton, Torrance, CA 90502.

Made in China.

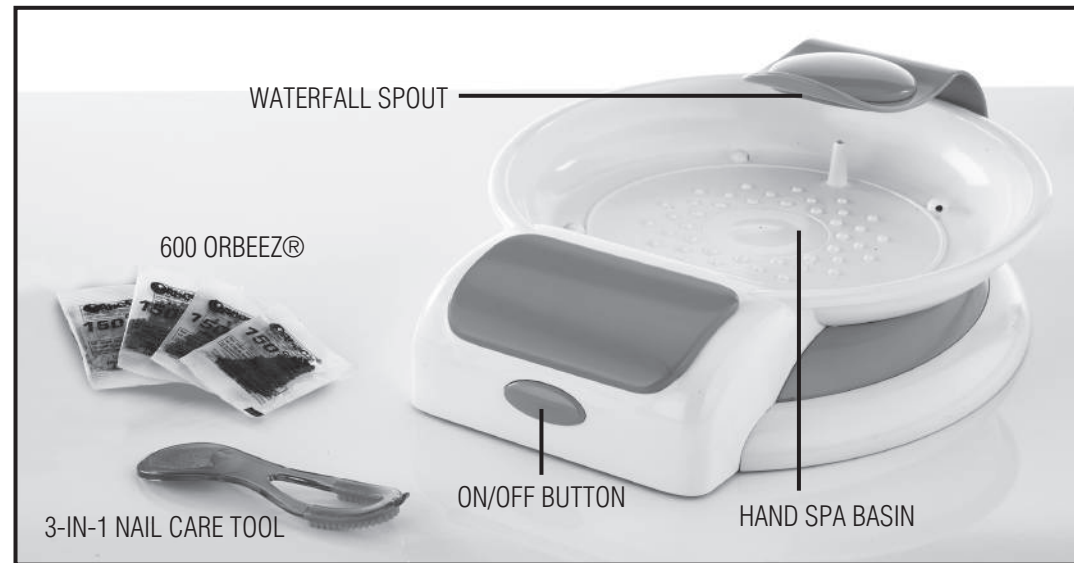
Item #47299

Customer Service: 1-800-843-6292 or 424-266-6263.
www.orbeezzone.com

MAYA GROUP

47299-20150609

CONTENTS



ASSEMBLY

1



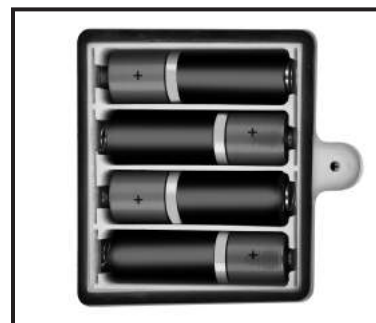
Press the waterfall spout into the slot in the basin until it fits snug.

2 BATTERY INSTALLATION

CAUTION:

BATTERIES MUST BE INSTALLED BY AN ADULT.

REQUIRES 4 "AA" (LR06) BATTERIES.
NOT INCLUDED.



- 1.1 Open the battery door from the underside of the Hand Spa basin" using a Phillips screwdriver (not included).
- 1.2 Install 4 new "AA" (LR06) alkaline batteries (not included) as shown.
- 1.3 Replace battery door and tighten screw.

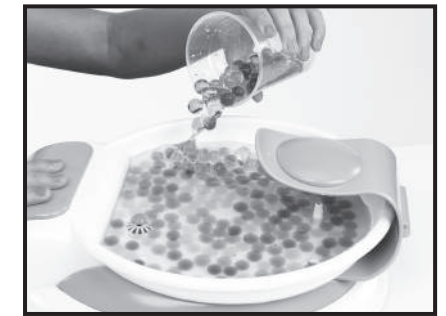
SET-UP

1 GROWING ORBEEZ®



Do not grow Orbeez® in the HAND SPA. Place 1-2 packets of Orbeez® into a bowl of clean, bottled or distilled water. Allow to soak for 3-4 hours, or overnight. Drain grown Orbeez® using a strainer or your hand. Once Orbeez have reached full size, drain all of the excess water out.
Do NOT pour Orbeez down the drain.

2



Fill the HAND SPA with clean, filtered water. Pour your grown Orbeez into the HAND SPA and press the ON/OFF button. The Orbeez and water will swirl around the Hand Spa, and the water will cascade down the waterfall spout.

PLAY



Place your hands in the Spa and relax! You can use the enclosed nail accessory to massage your hands, buff your nails and push back your cuticles.

Rinse and dry the Hand Spa between uses.

